



Connect Tech Inc.
Embedded Computing Experts

www.connecttech.com

Product Change Notification
Connect Tech Inc. PCN


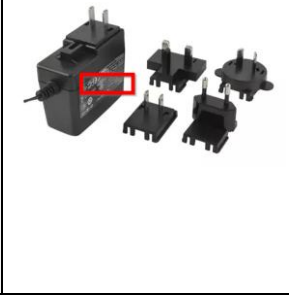


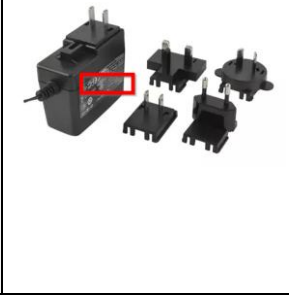


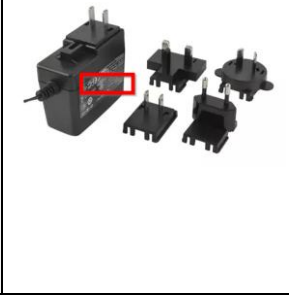

PCN Number:	CTIU-00009
Revision:	0.01
Issue Date:	2017-12-21
Effective Date:	2017-12-21
Authors:	RC

1 Product Identification

1.1 Product Data

	Previous Version	New Version
Product Name	NVIDIA® Jetson™ Power Supply	NVIDIA® Jetson™ Power Supply
CTI Part Numbers	MSG062 - Spacely (ASG006) PSU MSG070 - Spacely (ASG006) PSU	MSG080 – Spacely (ASG006) PSU
OEM Part Numbers	SWI24-12-N-P5, SMI24-12-V-P5	SDI65-12-U-P5
Serial Number	N/A	N/A
Lot Number	N/A	N/A
Hardware Revision	N/A	N/A
Firmware Version	N/A	N/A

1.2 Means of Distinguishing Changed Products

		Remark						
Product Number	<input type="checkbox"/>							
Hardware Revision	<input type="checkbox"/>							
Lot Code	<input type="checkbox"/>							
Label	<input checked="" type="checkbox"/>	See manufacturer's label on power supply. <table border="1" data-bbox="573 1094 1440 1476"> <thead> <tr> <th>Previous Version A MSG062 MFG PN: SMI24-12-V-P5</th> <th>Previous Version B MSG070 MFG PN: SWI24-12-N-P5</th> <th>New Version MSG080 MFG PN: SDI65-12-U-P5</th> </tr> </thead> <tbody> <tr> <td></td> <td></td> <td></td> </tr> </tbody> </table>	Previous Version A MSG062 MFG PN: SMI24-12-V-P5	Previous Version B MSG070 MFG PN: SWI24-12-N-P5	New Version MSG080 MFG PN: SDI65-12-U-P5			
Previous Version A MSG062 MFG PN: SMI24-12-V-P5	Previous Version B MSG070 MFG PN: SWI24-12-N-P5	New Version MSG080 MFG PN: SDI65-12-U-P5						
								
Other	<input checked="" type="checkbox"/>	AC Plug Type						

2 Description and Reason of Change

AVL	<input type="checkbox"/>	Product Improvement	<input checked="" type="checkbox"/>
Material	<input type="checkbox"/>	BIOS Release	<input type="checkbox"/>
Assembly Process	<input type="checkbox"/>	Firmware Release	<input type="checkbox"/>
Assembly BOM	<input type="checkbox"/>	Datasheet / Manual	<input type="checkbox"/>
Testing	<input type="checkbox"/>	DFM	<input type="checkbox"/>
Manufacturing Site	<input type="checkbox"/>	Other	<input type="checkbox"/>
Equipment	<input type="checkbox"/>		

Previously a “Wall Mount” style AC/DC power supply with a 12V 24W output, was shipped out with the following CTI Part Numbers:

Revision	CTI Jetson Supported Product
MSG062	ASG006 Spacely
MSG070	ASG006 Spacely

These above MSG part numbers have now been changed to use a “Desktop” style AC/DC power supply with a 12V 60W output, using the manufacturer’s part number **SD165-12-U-P5**.

This change has been made as in high demand applications, specifically when all 6 MIPI CSI camera interfaces are active power consumption may approach or go beyond the 24W capabilities of the MSG062/MSG070. The new 60W supply will still provide the proper current sourcing capabilities to support Connect Tech’s carrier boards mated with the NVIDIA Jetson TX2 or TX1 module as well as power external peripherals for most use cases.

Revision	CTI Jetson Supported Product
MSG080	Spacely – 12V, 60W

3 Impact of change (positive or negative) on fit, form, function & reliability

3.1 Quality and Reliability

The changes listed in Section 2 will have no effect on the overall quality and reliability of the power supply or the Connect Tech carrier board.

3.2 Software Compatibility

N/A

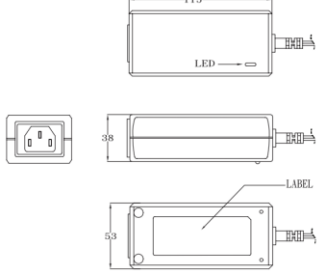
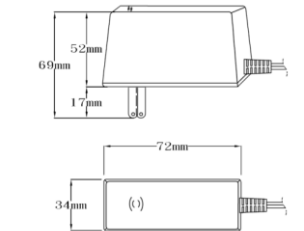
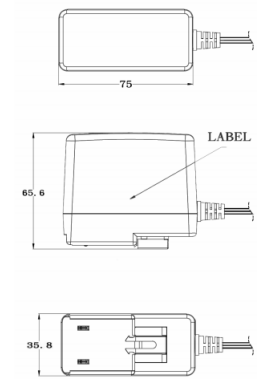















3.3 Hardware Compatibility

Customers using the ASG006 with the MSG062/MSG070 may require a higher power PSU when fully utilizing all peripherals, especially when utilizing all 6 CSI MIPI interfaces. In this case the MSG080 may be required.

3.4 Mechanical Compatibility

The shift from a “Wall Mount” style power supply (SWI24-12-N-P5/ SMI24-12-V-P5) to a “Desktop” style power supply (SDI65-12-U-P5), may cause some mechanical clearance issues depending on the end-use application.

Mechanical Details are shown below:

New Version MSG080 MFG PN: SDI65-12-U-P5	Previous Version A MSG062 MFG PN: SWI24-12-N-P5	Previous Version B MSG070 MFG PN: SMI24-12-V-P5																								
		 <table border="1" data-bbox="922 1648 1401 1892"> <thead> <tr> <th colspan="6">INTERCHANGEABLE BLADES</th> </tr> <tr> <th>BLADE DESIGNATOR</th> <th>N</th> <th>E</th> <th>B</th> <th>A</th> <th>C</th> </tr> <tr> <th>REGION</th> <td>North America</td> <td>Europe</td> <td>UK</td> <td>Australia</td> <td>China</td> </tr> </thead> <tbody> <tr> <th>BLADE</th> <td></td> <td></td> <td></td> <td></td> <td></td> </tr> </tbody> </table>	INTERCHANGEABLE BLADES						BLADE DESIGNATOR	N	E	B	A	C	REGION	North America	Europe	UK	Australia	China	BLADE					
INTERCHANGEABLE BLADES																										
BLADE DESIGNATOR	N	E	B	A	C																					
REGION	North America	Europe	UK	Australia	China																					
BLADE																										

4 Product / Revision Discontinuation

Unless specified to CTI, all future orders of ASG006 and/or ASG009 will use the new revision power supply (MSG080) when paired. This does not include products that fall under the RMA process.

5 Contact Information

Phone	+1-519-836-1291
Email	sales@connecttech.com

APPENDIX A – Power Supply Part Number Table

CTI Part Number	Base OEM Part Number	Details
MSG062	SWI24-12-N-P5	North American Power Supply - Input 90-264 VAC, North American Plug - Output 12V DC, 2A, 24W - Includes mating cable assembly to mate to 3.5mm terminal plug
MSG070	SMI24-12-V-P5	Multi-Region Power Supply - Input 90-264 VAC, Multi-Region Interchangeable Blade Plugs - Input Blades for North America, Europe, UK, Australia and China - Output 12V DC, 2A, 24W - Includes mating cable assembly to mate to 3.5mm terminal plug
MSG080	SDI65-12-U-P5	Spacely Multi-Region Power Supply - Input 90-264 VAC, - Output 12V DC, 5A, 60W - Includes mating cable assembly to mate to 3.5mm terminal plug.